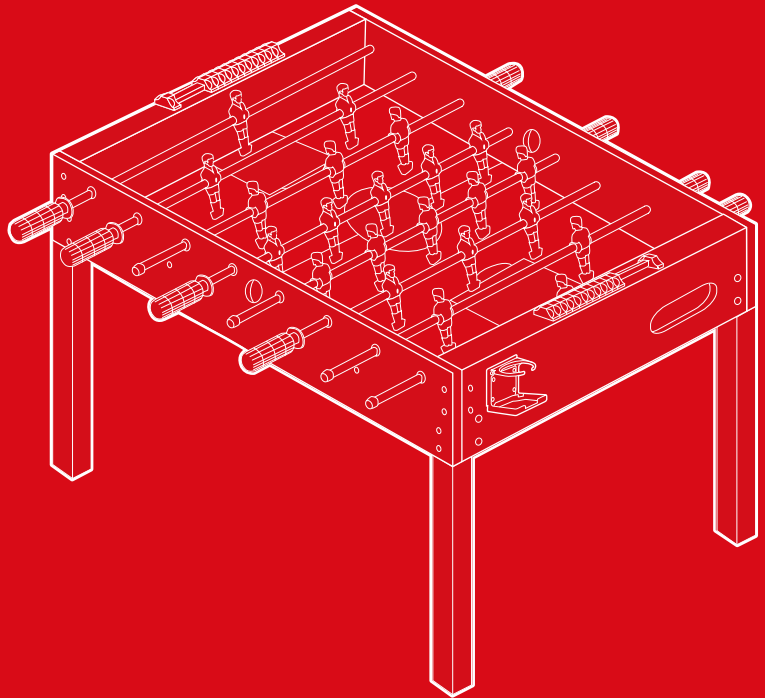




bestchoiceproducts



INSTRUCTION MANUAL

48" Foosball Table



bestchoiceproducts

As shoppers, we're always trying to find the perfect balance between quality & value. At BCP, we believe we've achieved that. Our diverse catalog of everyday essentials is tailored especially to our customers & guaranteed to hit that sweet spot of high quality & low price.

— Always. —

! NOTICE

Please retain these instructions for future reference.

- Do not stand on or use any part of this set as a step ladder.
- Firmly secure all bolts, screws and knobs before use.
- Reconfirm that all bolts, screws, and knobs are secure every 90 days.
- Be aware that some parts are heavy and have sharp edges.
- Do not use or store this item in the proximity of open flame or flammable/combustible chemicals.
- If any parts are missing, broken, damaged, or worn, stop using this product until repairs are made and/or factory replacement parts are installed.
- Do not use this item in a way inconsistent with the manufacturer's instructions as this could void the product warranty.

AGE RANGE: 3 years old and up

TOOLS REQUIRED



PHILLIPS
SCREWDRIVER



ALLEN WRENCH
(PROVIDED)



2 PERSON
ASSEMBLY



UP TO 1 HR.
ASSEMBLY

HARDWARE

1

RUBBER
SPACER



16 PCS

2

PLASTIC
WASHER



16 PCS

3

LONG
SCREW



4 PCS

4

BARREL NUT



4 PCS

5

WASHER



24 PCS

6

BOLT



24 PCS

7

FEET



4 PCS

8

MEDIUM
SCREW



4 PCS

9

SHORT
SCREW



8 PCS

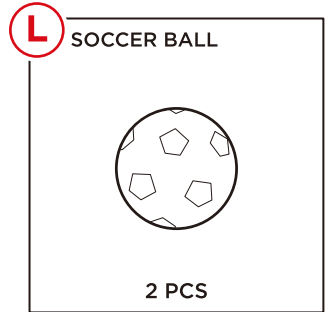
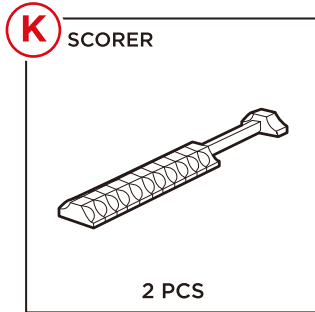
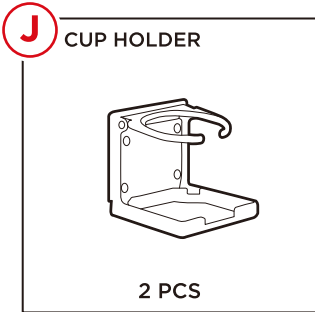
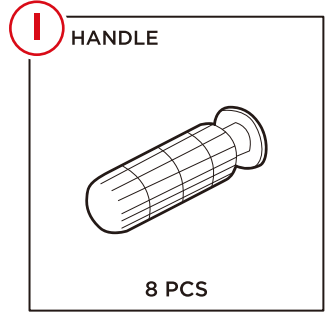
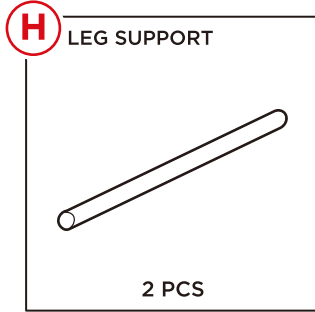
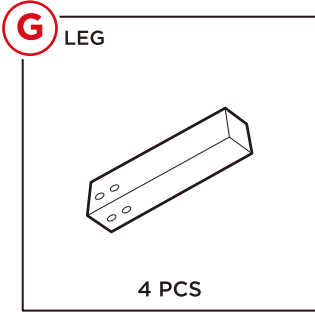
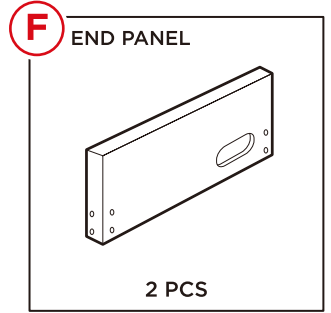
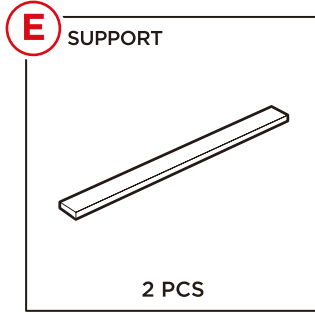
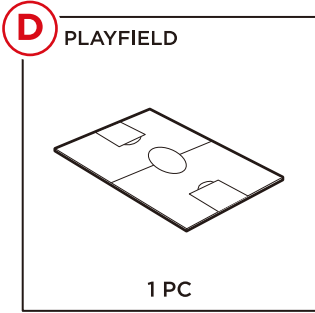
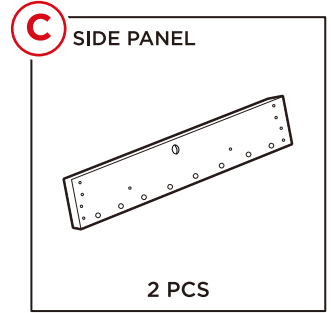
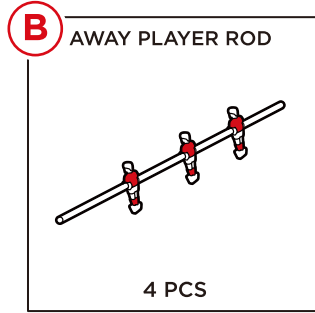
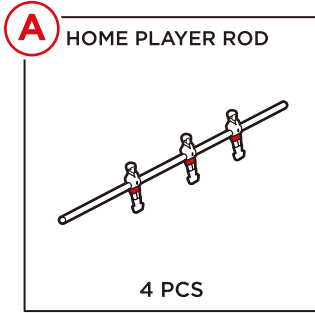
10

END CAP



8 PCS

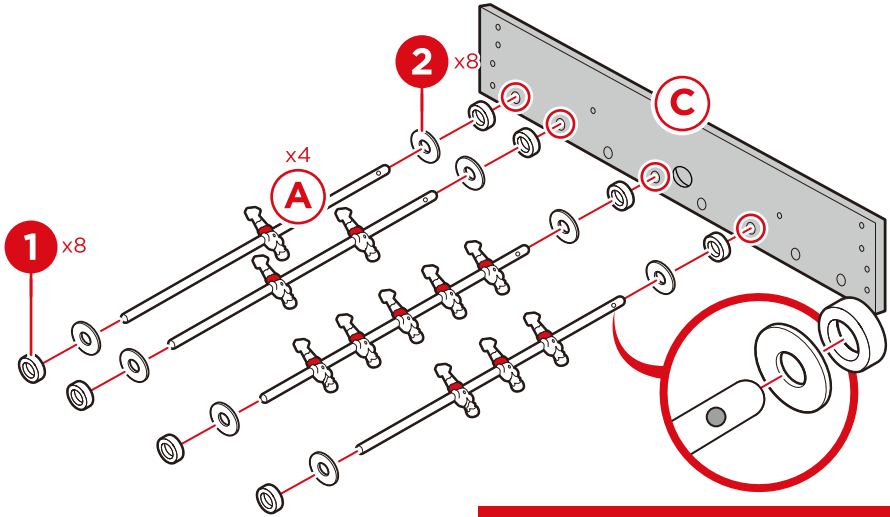
PARTS



PRODUCT ASSEMBLY

1

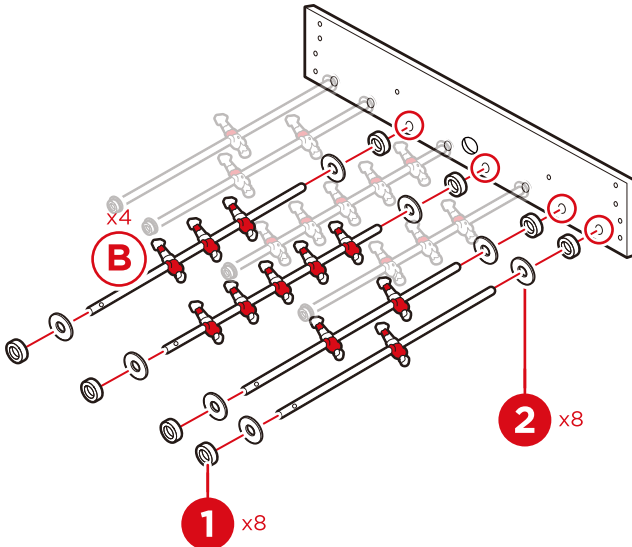
Place a part C side panel with the ball entry hole closer to the floor.
Slide four part A home player rods with eight part 1 rubber spacers and eight part 2 plastic washers into the designated holes.



Make sure that the ends with a hole are arranged on the same side.

2

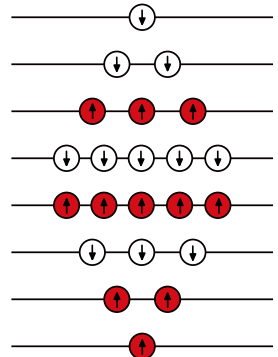
Slide four part B away player rods with eight part 1 rubber spacers and eight part 2 plastic washers into the designated holes.



3

Confirm that the rods are arranged correctly and the players face the same team direction.

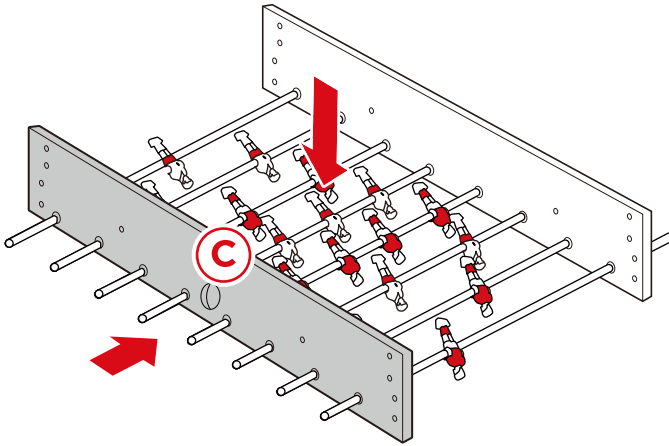
NOTE: The figures and table are upside down in this diagram.



PRODUCT ASSEMBLY

4

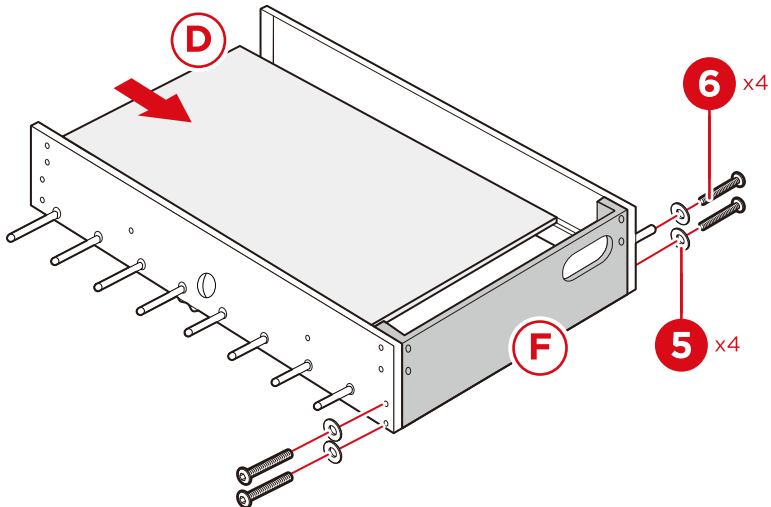
Slide the other part C side panel onto the rods.



5

Attach one part F end panel with four part 6 bolts and four part 5 washers.

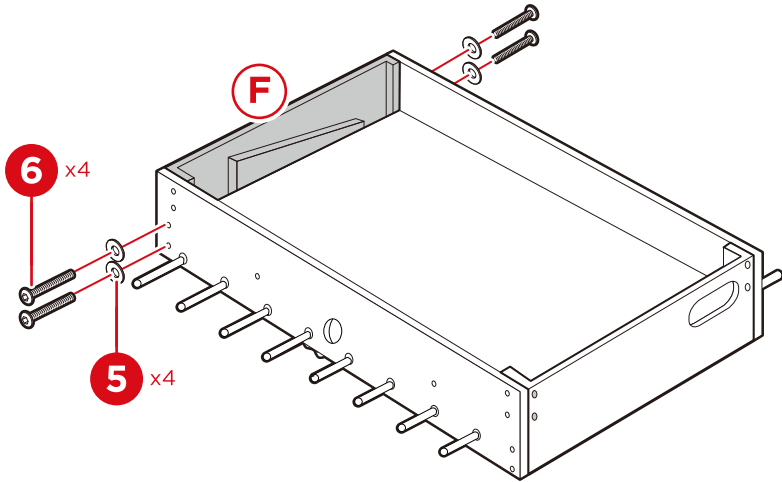
Flip the part D playfield upside down and slide it into the slots of the part C side panels.



PRODUCT ASSEMBLY

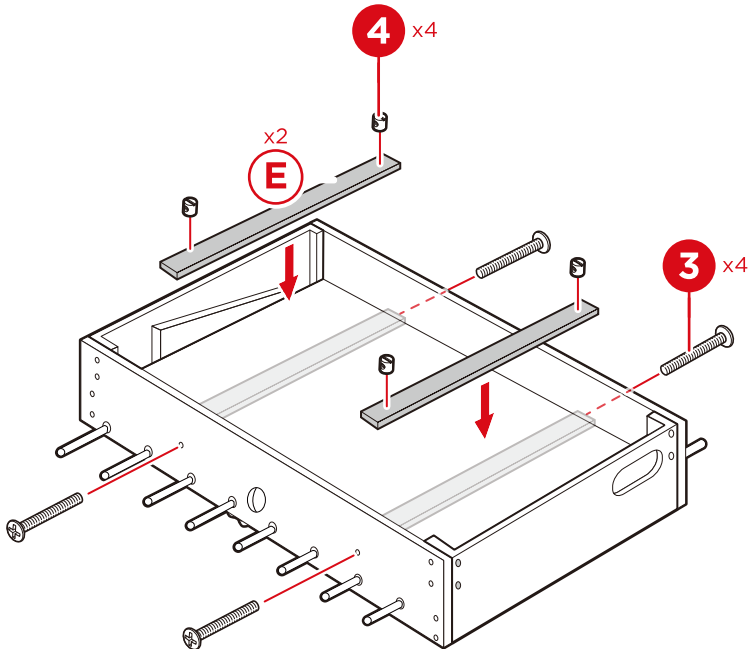
6

Attach the other part F end panel with four part 6 bolts and four part 5 washers.



7

Attach two part E supports with four part 3 screws and four part 4 nuts.



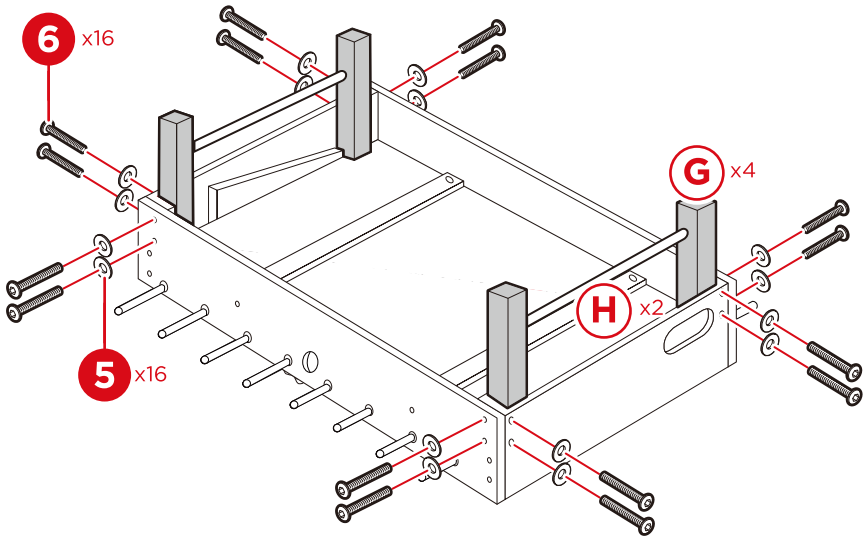
PRODUCT ASSEMBLY

8

Insert four part G legs into the corners.

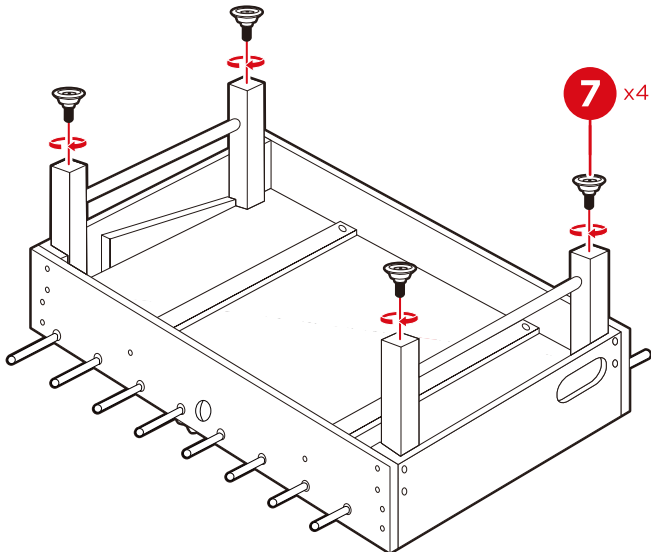
Place two part H support bars between the legs.

Attach the legs with sixteen part 6 bolts and sixteen part 5 washers.



9

Screw in four part 7 feet.



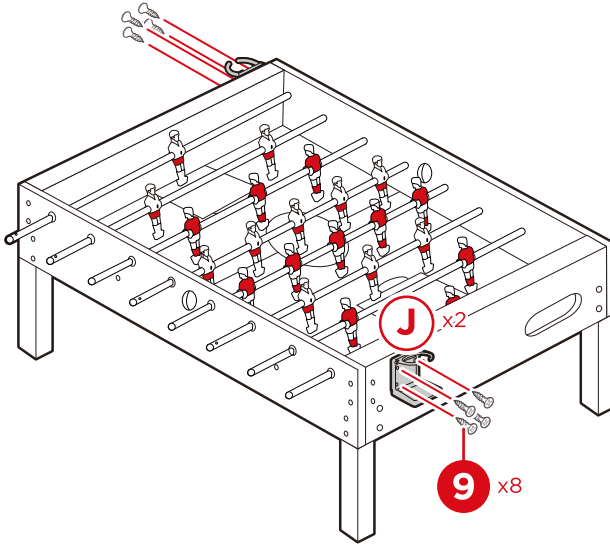
PRODUCT ASSEMBLY

10

Carefully flip the table over.

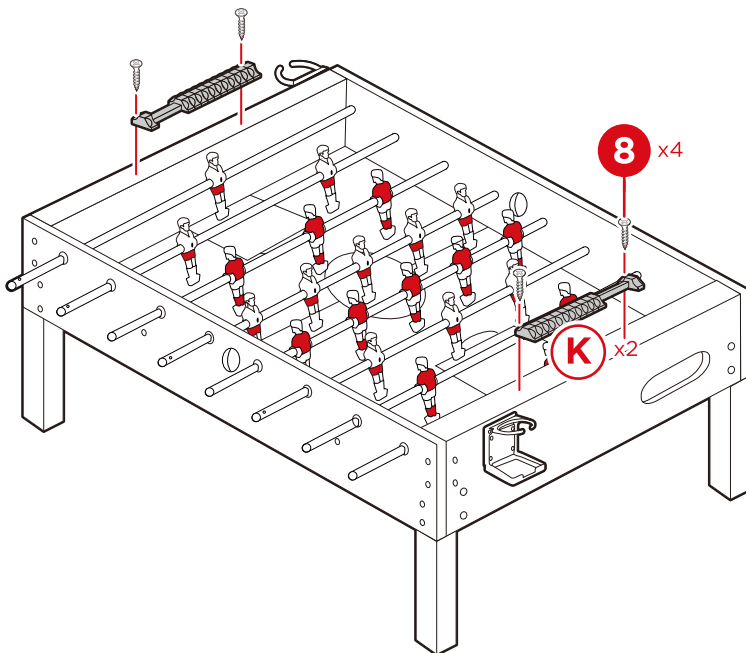
Attach two part J cup holders with eight part 9 screws.

NOTE: Do not lift the table while holding onto the rods.



11

Attach two part K scorers with four part 8 screws.

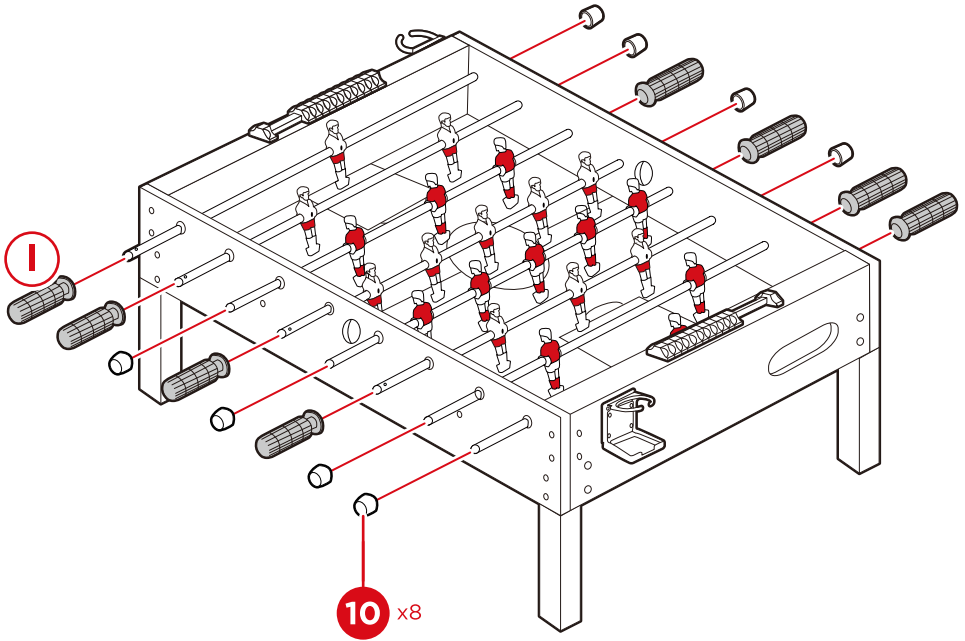


PRODUCT ASSEMBLY

12

Slide eight part I handles onto the ends of rods with a hole.

Slide eight part 10 end caps onto the ends of rods without a hole.



A drop of liquid soap may help the handles slide on.

Earn points while you shop. Join today!

bestchoiceproducts
rewards\$

Join | Earn | Redeem

Give your friends 15% off their first order! For each successful referral you'll receive 100 points.

bestchoiceproducts.com



HELP CENTER



Question about your product? We're here to help. Visit us at:

help.bestchoiceproducts.com



Chat Support



Product Inquiry



Orders FAQ



Product Assembly



Returns & Refunds

PRODUCT WARRANTY INFORMATION

All items can be returned for any reason within 60 days of the receipt and will receive a full refund as long as the item is returned in its original product packaging and all accessories from its original shipment are included. All returned items will receive a full refund back to the original payment method. All returned items will not be charged a re-stocking fee.

All returned items require an RA (Return Authorization) number, which can only be provided by a Best Choice Products Customer Service Representative when the return request is submitted. Items received without an RA may not be accepted or may increase your return processing time. Once an item has been received by Best Choice Products, refunds or replacements will be processed within 5 business days.

All returns must be shipped back to the Best Choice Products Return Center at the customer's expense. If the reason for return is a result of an error by Best Choice Products then Best Choice Products will provide a pre-paid shipping label via email. Boxes for return shipping will not be provided by Best Choice Products, and is the customer's responsibility to either use the original shipping boxes or purchase new boxes.

Pictures may be required for some returns to ensure an item is not damaged prior to its return. Items returned are not considered undamaged until they are received by Best Choice Products and verified as such. All damages to items are the customer's responsibility until the item has been received by and acknowledge by Best Choice Products as undamaged.



WARNING

Manufacturer and seller expressly disclaim any and all liability for personal injury, property damage or loss, whether direct, indirect, or incidental, resulting from the incorrect attachment, improper use, inadequate maintenance, unapproved modification, or neglect of this product.